

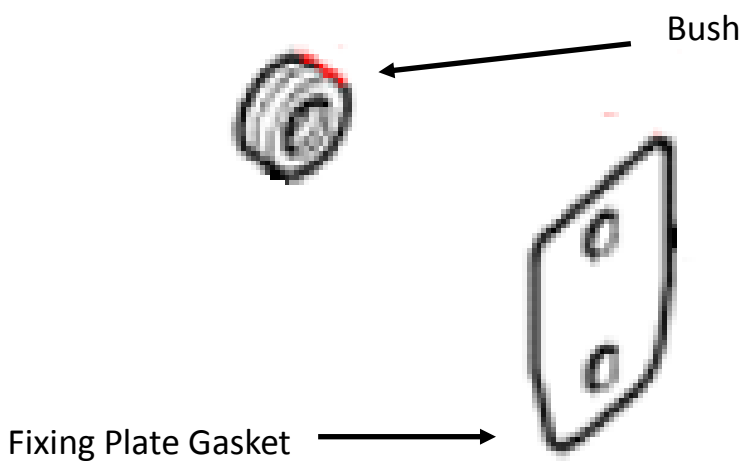
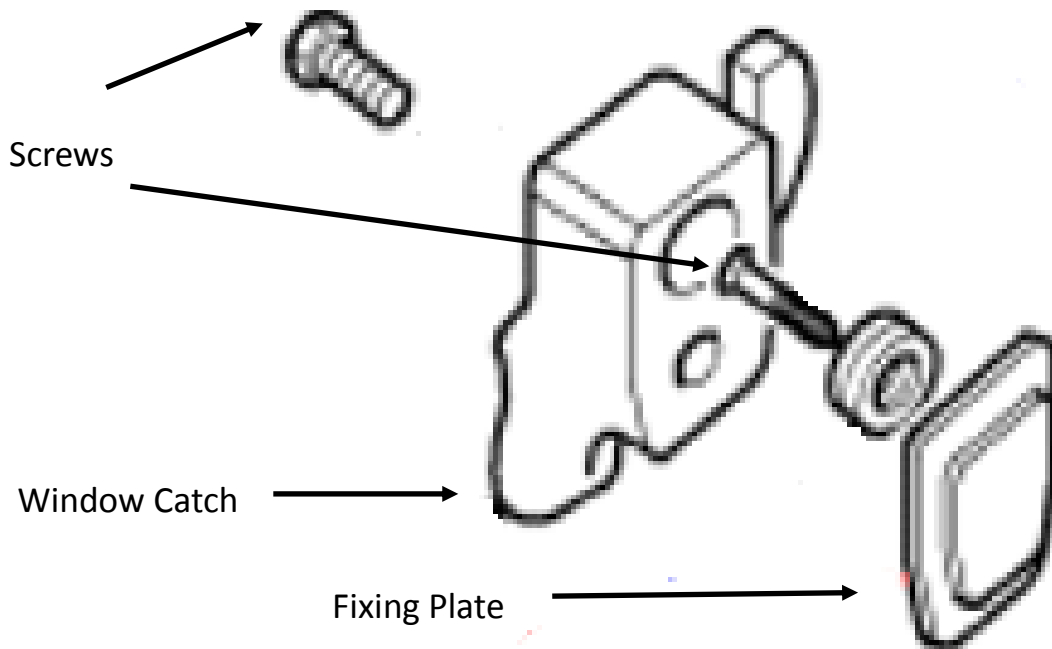
MASAI WINDOW CATCH

ILLUSTRATED FITTING MANUAL



You will need:

- Screwdriver



This diagram shows the assembly of a side window catch, and both the left and right hand sides fit together the same way. Please note that the bush will need to be gently hammered into place as it is a tight fit. The black painted screw is ideally used on the tapered end of the catch.

PERSONAL NOTES

A large, empty rounded rectangular box with a yellow border, intended for personal notes. The box is centered on the page and occupies most of the vertical space below the header.



Unit 5, Eastern Park, Eastern Avenue, Lichfield,
Staffordshire, WS13 7SY. United Kingdom.
Tel: +44(0)1543-254507 Fax: +44(0)1543-418665
Email: info@masai.co

www.masai  **.co**